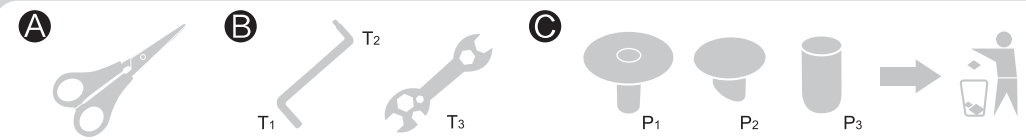


# 一张A4纸大小反正面印刷

Bandits and Angels

## EN Installation Guide



### Preparation before assembling

- Prepare a scissor.
- Open the tools kit box and take out assembly tools (T1, T2, T3) and the training wheels, etc.
- Remove protective film and plastic protector (P1, P2, P3) (Please dispose as recyclable waste).

### Start to Assemble

#### 1 Fix the training wheels (Optional)

Use the supplied spanner T3 to remove the rear axle nut (d) and the nut washer (c) by screwing in counter-clockwise direction. Then successively assemble the training wheel washer (a), training wheel supporter (b), nut washer (c), and the nut (d). Tighten the nut (d) in clockwise direction and make sure the training wheel supporter is fixed.

Fix the other training wheel on the other side the same way.

#### 2 Install the handlebar

Remove the black plastic Cap (P3) from the end of the stem wedge (e). Insert the stem (e) into the head tube (i) of the bicycle. Ensure that the Minimum Insertion Line (h) is below the top of the head tube (i) and the brake control cables (f) are in front of the bicycle. Align the stem and handlebar so it is in line with the front wheel. Tighten the bolt on the top of stem with the Hexagon wrench (T1) clockwise. Adjust the brake lever (g) into 30-40 degree. Tighten the bolt on the top of the brake lever (g) with the Hexagon wrench (T2) supplied with the bike.

#### 3 Install the seat

Use the supplied spanner T3 to loosen the nut (j) in counter-clockwise direction. Insert the seat post to the proper position and make sure the safety line (k) cannot be seen. Then adjust the saddle to fit the children. The seat's lowest position is when the seat post is almost entirely insert into middle tube, but make sure the clamp can be tightened. Use spanner T3 to tighten the nut (j) in clockwise direction, and make sure the saddle is fixed.

#### 4 Install the pedals

Look at the end of the axle of the pedals and find out which one is for the left and which one is for the right. Screw the right pedal to the crank CLOCKWISE and the left pedal COUNTER-CLOCKWISE. Use a wrench to tighten both pedals.

#### 5 Plug on the plastic caps

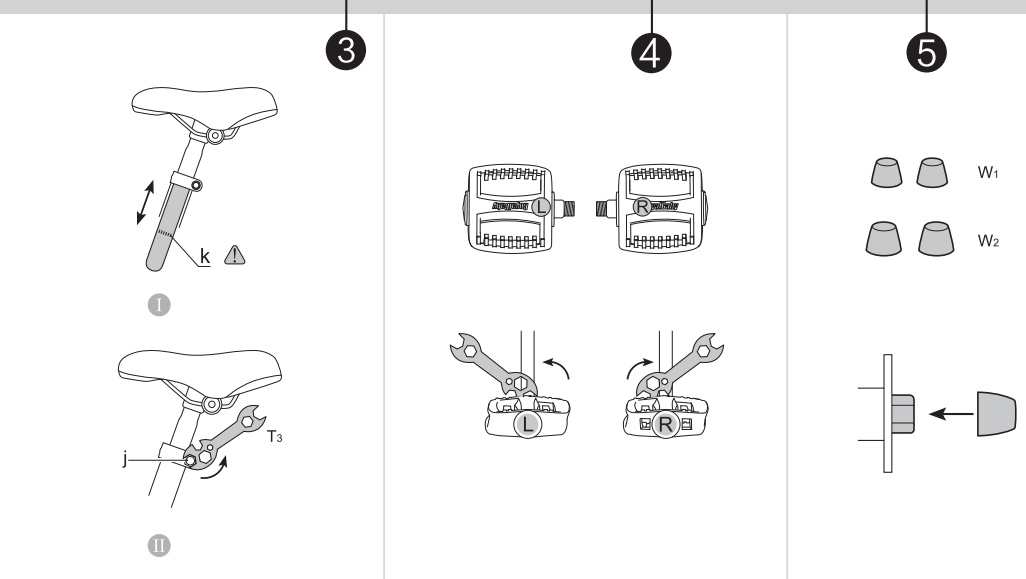
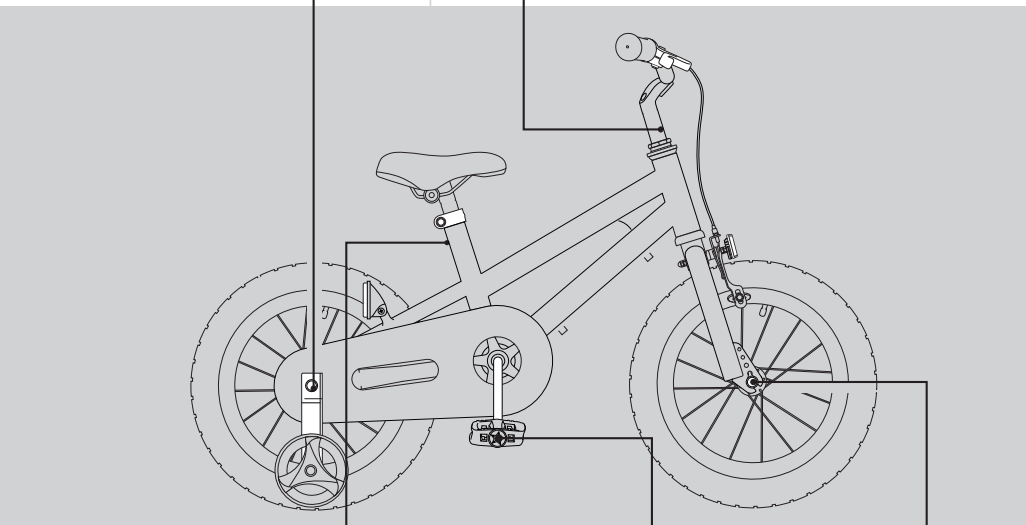
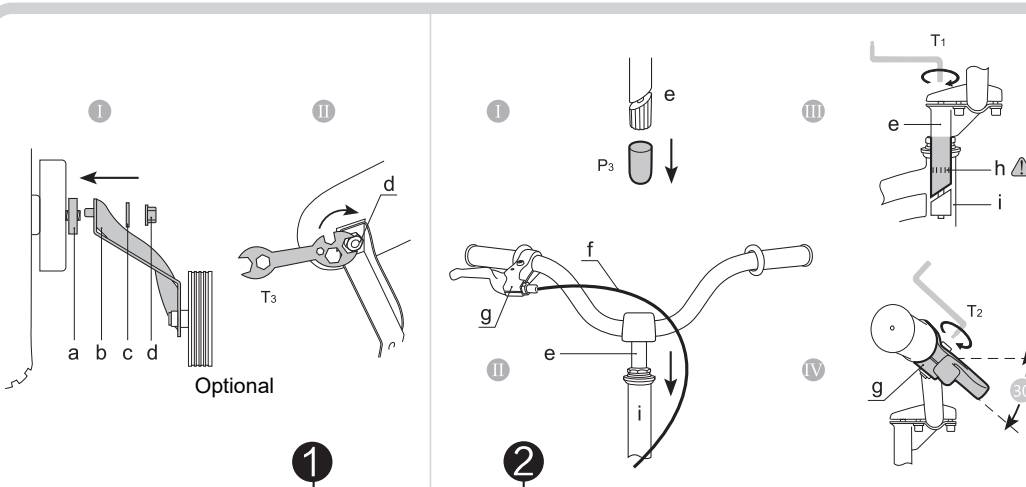
Install the water proof plastic caps (W1, W2) onto nuts at both ends of front and rear axles.

By now the assembly of main parts of your Bandits and Angels bicycle has completed. If you bought the other components, such as the mudguards, basket, kickstand, please read the corresponding instructions to install them.

Please read the INSTRUCTIONS FOR USE AND MAINTENANCE carefully before your first riding. We strongly recommend that you perform full checks on bicycle before every riding, especially on the brakes and the tyres. Regular maintenance is really necessary.

If you have any more questions concerning assembly or riding, please feel free to contact us. Our after-sales service email: [service@royal-bike.com](mailto:service@royal-bike.com)

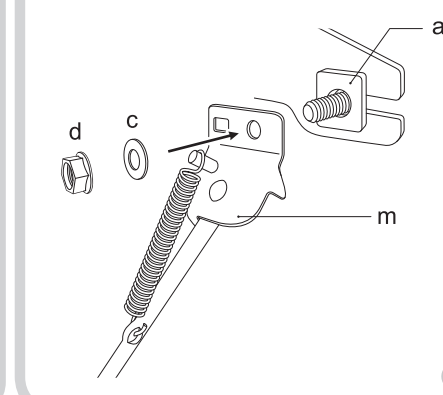
Wish your child enjoy cycling!



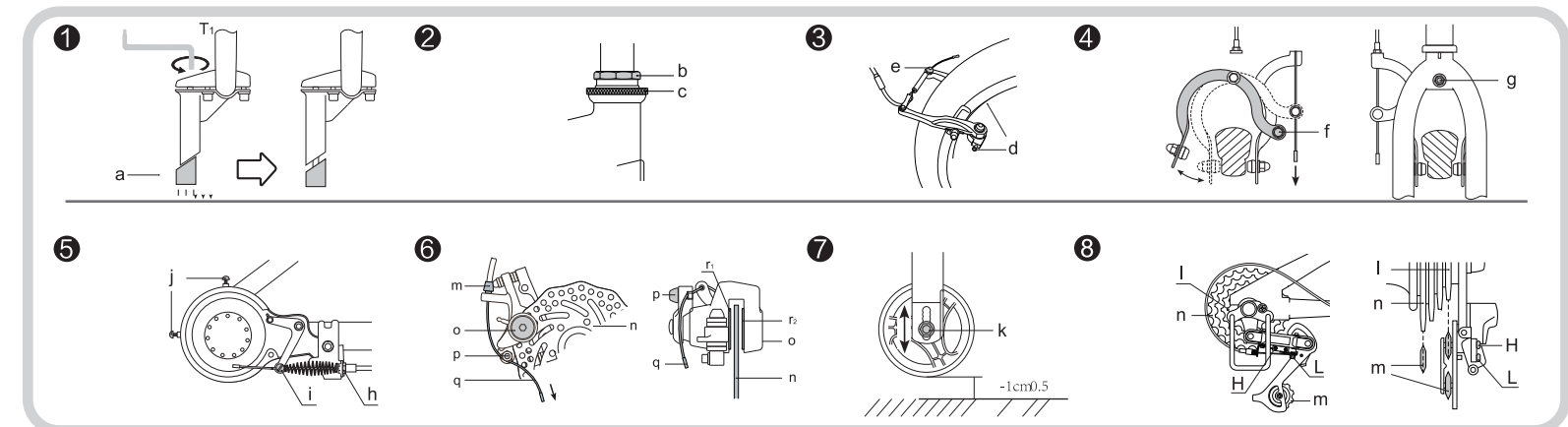
\* Front White Reflector - Fixed on the handlebar.

\* Rear Red Reflector - Fixed on the seat tube or the bracket of the rear fork.

\* Kickstand - Assemble the kickstand to the position where the left training wheel is. The procedure of assembling the kickstand is the same as that for training wheel. Kickstand is available for 16/18 inch bicycles.



## EN INSTRUCTIONS for Use and Maintenance



### INSTRUCTIONS for Use and Maintenance

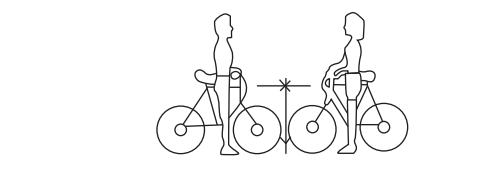
Thank you for buying RoyalBaby bike for your child. As a leading brand of high quality kids bike, we are always devoting ourselves to making comfortable and safe bikes for children all over the world. You are welcome to send us feedbacks on our products at [info@messingschlagler.com](mailto:info@messingschlagler.com).

#### Safety Instructions

- Children should always use helmet when riding
- To avoid personal injury, strictly forbid children to touch the chain, chainwheel, freewheel and other rotating components
- Children must ride under the supervision of adults
- This bike is children bicycle which should be used on smooth, non-motorized vehicle lane or pavement. Please avoid riding on slope or bumpy terrain as this might cause tumbling over.
- Rider should master how to use brake before cycling
- The rider shall follow the local legal requirements when the bicycles is to be ridden on public roads.
- The maximum load weight (rider together with the belongings) of this product is 75kg (165lb)

#### Fitting the Rider to the Bicycle

There must be at least 1 inch (2.5cm) of clearance between the highest part of the top tube and the crotch of the rider with tires properly inflated. The minimum leg-length for the rider is the highest part of the top tube plus 1 inch (2.5cm).



#### Before You Ride

- If this is your child's first ride, parents or guardian should instruct your child how to correctly use the bike and remind your child about relevant precautions, particularly the safe use of the braking systems.
- Please avoid riding under harsh environment.
- Please avoid riding during night.
- Please increase braking distance in case of raining and freezing weather.
- Please check the condition of your bike, especially for the brake, on a regular basis according to the information in the Table of Maintenance and Cleaning.
- Please repair your bike according to the descriptions in this manual when breakdown occurs. If the problem still cannot be settled, please resort to professionals. Children are strictly forbidden to repair bikes.
- For your safety of riding, please select original accessories. If the front fork needs to be replaced, the set-back and inner diameter of the new one should be consistent to the original one.

#### Before every ride, it is important to carry out the following safety checks

- Ensure the handlebar and saddle height are appropriate to the rider.
- Ensure all components are assembled in place and screwed tightly. If any component goes loose, please screw tightly before using.
- Ensure the front and rear brakes work properly.
- Ensure both ends of the handlebar are properly protected.
- Ensure tires are inflated in compliance with the pressure indicated on the tire sidewall.
- Check that the tires show no signs of excessive wear or flat spots, and that there are no cuts or other damage. Excessively worn or damaged tires should be replaced.
- Ensure the chain work properly. The chain needs to be adjusted when going loose, in case of falling off during cycling.
- Ensure all accessories are assembled firmly and work properly.

#### Adjustment and Maintenance

Refer to the content of brake adjustment and maintenance in this manual and videos on brake adjustment. [www.royalbabybikes.com](http://www.royalbabybikes.com)

#### 1. Stem Assembly and Adjustment

- If the expander bolt cannot be screwed tightly, please take out the stem and check if the bottom wedge (a) (metal pieces of castings) falls into the head tube. If so, please tie out the wedge (a) from the head tube and then screw it to the expander bolt and insert into the head tube again when the distance to the bevel connection of the stem is 2-3mm. Then use the spanner T1 to screw the stem tightly in clockwise direction. The handlebar should be adjusted to be vertical with the front wheel before screwing. (As shown in figure 1)
- What to do if the handlebar is not flexible or too flexible when turned left and right? Unscrew the head lock nut (b) in counter-clockwise direction by using adjustable wrench, and slightly unscrew the top head race (c) in counter-clockwise direction (or screw to tighten in clockwise direction) to test the tightness when turning the handlebar. Repeat the steps if necessary until the tightness is appropriate and as the last step, screw the head lock nut (b) tightly. (As shown in figure 2)

#### 2. Using and Adjusting the Brake

For bikes equipped with rear band brake / disc brake / V-brake, the left brake lever controls the front brake, and the right brake lever controls the rear brake. To stop the bike, parents should teach children to use their fingers and press down the brake levers, please try to avoid sudden braking as that might cause falling down.

For bikes equipped with rear coaster brake, the front hand brake is fixed on the right side of the handlebar. The front wheel can be stopped by pressing down the right brake lever. To stop the rear wheel, parents should teach children how to use the coaster brake: to reverse the pedals by feet in emergency.

#### Adjustment of V-Brake

- If one side of the clearance of the brake block is smaller than that of the other side, screw in the adjustment nut (d) or screw out the adjustment bolt (d) on the other side. Then test the brake lever to see the effect. Do the adjustment again if necessary, until the clearance of the two sides are the same and the brake works well.

- If the clearance of both sides are too far or too close (should be within 1-3mm), the brake cable adjustment screw (e) should be loosened. Then use one hand to press the two brake block to the right position and pull the brake cable tight. Secure the brake cable adjustment screw (e). Test the brake. Do the adjustment again if necessary until the brake works well. (As shown in figure 3)

#### Adjustment of Caliper Brake

If the clearance of both sides of the brake block are too far or too close to the rim, loosen the cable adjustment screw (f) fixing the cable end. Then use one hand to press the two brake block to the right position and pull the brake cable tight. Secure the brake cable adjustment screw (f). Test the brake. Do the adjustment again if necessary, until the brake works well. On the occasion that one side of the clearance of brake block is smaller than that of the other side, tighten the brake fixing nut (g) on the rear side of the front fork below the head tube of the frame to get the brake block to the right position. Test the brake lever to see the effect. Tighten the bolt again or slightly loosen the bolt if necessary until the clearance of the two brake block are same. (As shown in figure 4)

#### Adjustment of Band Brake

If the rear wheel can still rotate when the brake lever is held tightly, firstly use the spanner to screw the adjusting nut (h) of brake cable tightly, and then test the flexibility of the brake. If the brake is still not so flexible, use the screwdriver to loosen the cable adjustment screw (i) at the same time. After that, release your hands and test the flexibility of the brake again. In order to get the optimal status, adjust it repeatedly to ensure a suitable length of the exposed brake cable.

Since the working principle of the brake is to restrain the rotation of the wheels by drag force due to friction, the brake block may be worn out after a period of using, thus the brake would not be so flexible. Under such condition, adjusting nut of the brake block (j) should be adjusted by screwdriver. The brake would be more flexible if you screw it more tightly. However, the brake block should not hold the brake drum when it is not braked. (As shown in figure 5)

#### Adjustment of Disc-brakes

Please make sure the distance between the brake shoes (r1, r2) and the disc brake is proper (usually < 1mm), so that it has good braking function without making noise while riding.

- Poor braking effect, please adjust as following steps: (1) Rotate the wheel and observe the distance between the brake shoes and disc brake. (2) Adjust the side which has a wider distance. Adjustment method of r1: slightly rotate the caliper adjusting screw (o) clockwise, to make the distance between the brake shoe (r1) and disc brake < 1mm, meanwhile the brake shoe's end is touching the disc. (Note: make sure the brake shoe bulges a little). Adjustment method of r2: rotate the cable-tightening screw (p), tighten and adjust the brake cable (q), to make the distance between the brake shoe (r2) and disc brake < 1mm (Note: There may be noise if the distance is too small).
- Rotate the wheel and then press the brake lever to test the braking effect. If the result is not so good, please repeat step (2)(3). If there is noise when rotate the wheel, please adjust as below (B).

B. The disc brake makes noise while riding, please adjust as following steps: (1) Rotate the wheel and observe the distance between the brake shoe and disc brake. (2) Adjust the side which has a narrower distance. Adjustment method of r1: slightly rotate the caliper adjusting screw (o) anti-clockwise, to make the distance between the brake shoe (r1) and disc brake < 1mm, meanwhile the brake shoe's end is touching the disc. (Note: make sure the brake shoe bulges a little). Adjustment method of r2: rotate the cable-tightening screw (p), loosen and adjust the brake cable (q), to make the distance between the brake shoe (r2) and disc brake < 1mm (Note: There may be noise if the distance is too small).

- Rotate the wheel to see if the rubbing noise disappears, and then press the brake lever to test the braking effect. If the result is not so good, please adjust as above (A). If the disc brake still makes noise when rotate the wheel, please repeat step (2)(3).

If the brake is broken or deformed, and can't be adjusted according to the above methods, please turn to a professional bicycle repair shop or contact our after-sales team. (As shown in figure 6)

#### 3. How to Adjust Training Wheels (Optional)

As shown in figure 7, you can adjust the position of nut and bolt (k) which connect the training wheels and training wheel lever to an appropriate height. The clearance between each training wheel and the ground shall not exceed 25mm with bicycle supported upright on a flat horizontal surface. Low clearance between the training wheels and the ground may result in the rear wheels turning without moving forward when cycling on rugged road or riding with low tyre pressure.

#### Warning:

In case of tumbling over or getting hurt, Kids must be capable enough before riding without training wheels. Before riding with training wheels, parents should use a wrench (not merely by hand) to tighten the training wheel nuts, so that they won't loosen or fall off from the bike.

#### 4. Adjustment of Derailleur

Place the chain on the smallest sprocket (l), and adjust the High limit screw so the idler roller (m) and the smallest sprocket (l) are lined up vertically. Then place the chain on the largest sprocket (n), and adjust the Low limit screw until the idler roller (m) and the largest sprocket (n) are aligned vertically. (As shown in figure 8)

#### 5. Correct Method of Adjusting Chain Tension

The adjustment nut for chain is assembled on the rear fork end, and the tension of the chain can be adjusted by loosening or tightening such nut.

Mind to check if all bolts and nuts in the bike are firmly tightened on a regular basis. You are suggested to tighten the bolts and nuts on relevant positions by torque wrench according to the torque data in the following table.

Front wheel nuts	22-27	N.m
Rear wheel nuts	24-29	N.m
Seat binder nut	12-17	N.m
Seat pillar clamp nut	15-19	N.m
Brake anchor nut	7-11	N.m
Handlebar clamp nut	17-19	N.m
Head stem expander bolt	10-14	N.m
Crank cotter pin nuts	9-14	N.m
Brake centre bolt	6-9	N.m

#### Special Declaration

- Please avoid riding under harsh environment and during night. Please increase braking distance in case of raining and freezing weather.
- Please check the condition of your bike, especially for the brake, on a regular basis.
- Figures in this manual are used to illustrate the structure of the product and its operation method. Please refer to the material object if it is not identical as figures shown.
- This manual is for universal use, and some bikes may not have accessories such as water bottle, protection cap, basket, etc. Please refer to the specific model.
- This bicycle cannot fit a luggage carrier or child seat.
- Friction components, such as the brake shoe and the rim, need to be replaced if over worn.
- Appropriate spares, such as tyres, inner tubes, and brake friction-components, should be prepared.
- This bicycle is subject to possible damage due to intensive use. If the design life of a component has been exceeded, it can suddenly fail, possibly causing injuries to the rider. Therefore, periodic inspection of the components is highly necessary. Any form of crack, scratches or change of colouring in highly stressed areas indicate that the life of the component has been reached and it should be replaced.
- When used as intended there are few risks involved in using the bike. You should bear in mind that children and teenagers are naturally very active and as a result unforeseeable situations and hazards may occur for which the manufacturer cannot be held liable. You should explain to your child the correct way of using the bike. Make sure your child is aware of potential hazards.

#### Lubrication

What	When	How
Brake Levers	Every six months	Put one drop of oil on the pivot point of each brake lever. (Lubricant: oil)
Caliper Brakes	Every six months	Put one drop of oil on the pivot point of each caliper brake. (Lubricant: oil)
Brake Cables	Every six months	Put four drops of oil into both ends of each cable. Allow the oil to soak back along the cable wire. (Lubricant: Lithium based grease)
Pedals	Every six months	Put one drop of oil where the axles go into the pedals. (Lubricant: Lithium based grease)
Chain	Every six months	Put one drop of oil on the each roller of the chain. Wipe all excess oil off the chain. (Lubricant: Chain lube or light oil)

Name of Product: Bicycle  
Applicable ages: 3 to 8

Name and Address of Supplier:  
**Bandits and Angels**  
Jansstraat 69, 2011 RV  
HAARLEM, The Netherlands













